

## Outdoor LED Guidance Display DS-TVL224-4-5Y(2 Rows)

Outdoor LED guidance display DS-TVL224-4-5Y(2 Rows), placed in parking lot, community, bank, enterprise and public institution, displays the information of welcome, advertising, news and weather forecast. It can display the standard Chinese characters and numeric characters, and its standard communication method is network and RS485. According to different requirements, user can configure in the information center and the device can show different real-time information. The guidance display can implement different combination according to the demand, for example, single line and double lines display, single color and double colors, with voice and without voice, etc. The device can also be combined into different sizes.



*Notes:* Pictures for reference only, subject to our available products.

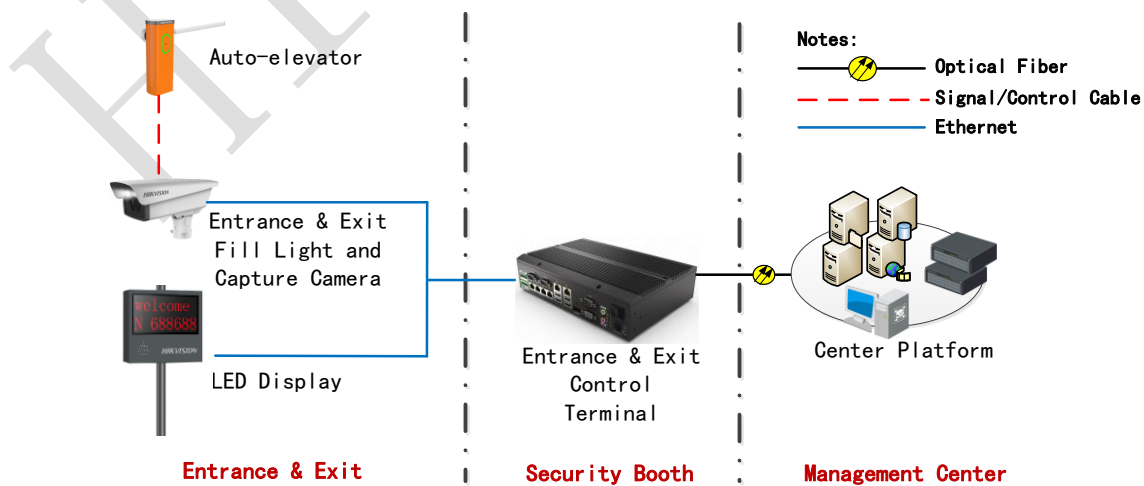
### Model Description

Product Model	Function Description
DS-TVL224-4-5Y(2 Rows)	Dual lines, 8-character, dual colors, with speaker

### Key Features

- Placed in the entrance of the parking lot, displaying the information of welcome, advertising and news, etc.
- Displaying standard Chinese characters and numeric characters, and its standard communication method is RJ45/RS485, both online and offline are supported
- Displaying content can be the remaining parking spaces of the whole parking lot, license plate number, charge and weather forecast, etc.
- Displaying different content according to the instruction from the host computer
- Clear subtitle

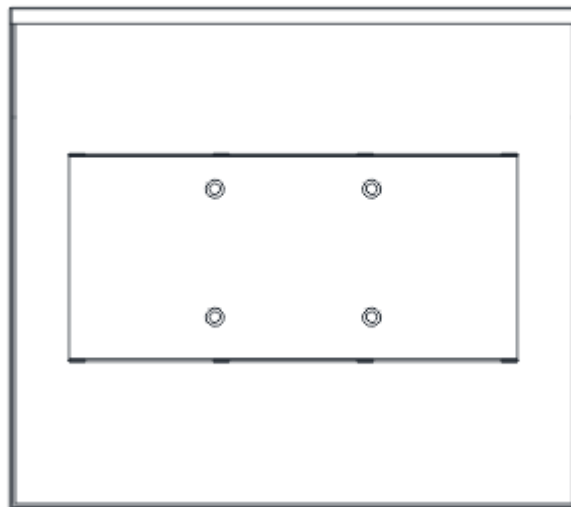
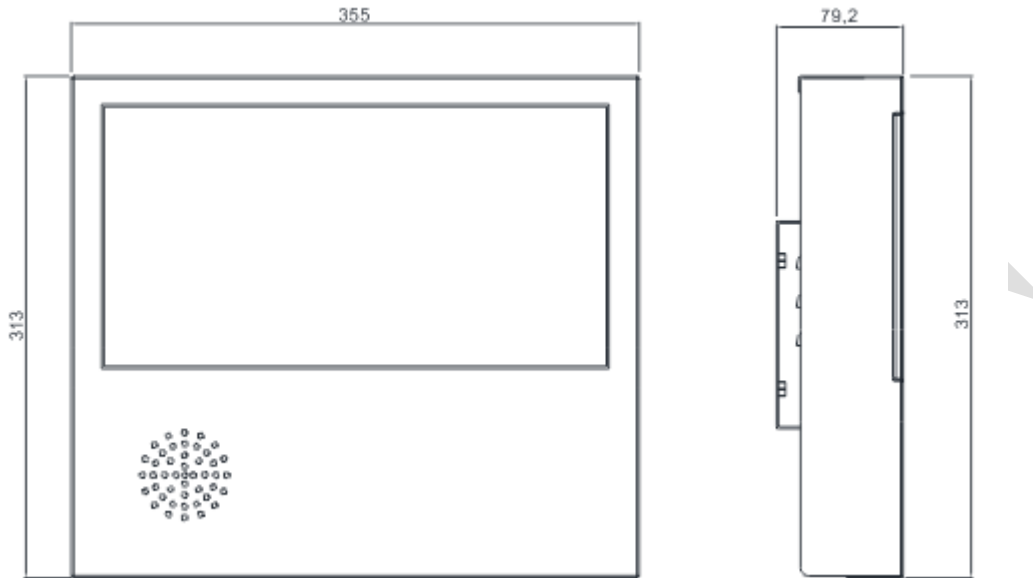
### Typical Application



Item	DS-TVL224-4-5Y(2 Rows)
Working Voltage	AC220V±10% , 50Hz
LED Brightness	1200cd
LED Angel	110°
Frame Material	Iron Frame Spraying Plastic(Dark armored glass for display part)
Installation Method	Hoop on the back
Speaker Specification	4Ω10W
Protection Grade	IP65
Dot Pitch	P4.75
Fundamental Color	1 Red 1 Green
Downward Communication Methods	RJ45/RS485
Display Method	Instant, Left Shift, Up Forward, etc.
Character Display	Unicode Character Set, 16 * 16 Lattice Chinese Characters
485 Communication Rate	RS485 : 57600 bps
Communication Distance	RS485:1200m,RJ45:120m
Power Consumption	Max 30W , Average 20W
Display Size	304mm(Width) 152mm(Height)
Dimension	355mm(Width)* 313mm(Height)* 79.2mm(Depth)

技术参数

Dimension



Outdoor 2-Rows & 8-characters Display

